



maya

FICHA TÉCNICA/ TECHNICAL DATA SHEET
CONTENEDORES Y PAPELERAS/ CONTAINERS AND WASTE BINS



REF: 04007

Descripción/ Description: **Contenedor 240 L/ 240 Waste Wheeled Bin**

Capacidad/ Capacity: **240 l**

Carga nominal/ Nominal Load: **96 Kg**

Peso neto/ Net weight: **14'20 Kg**

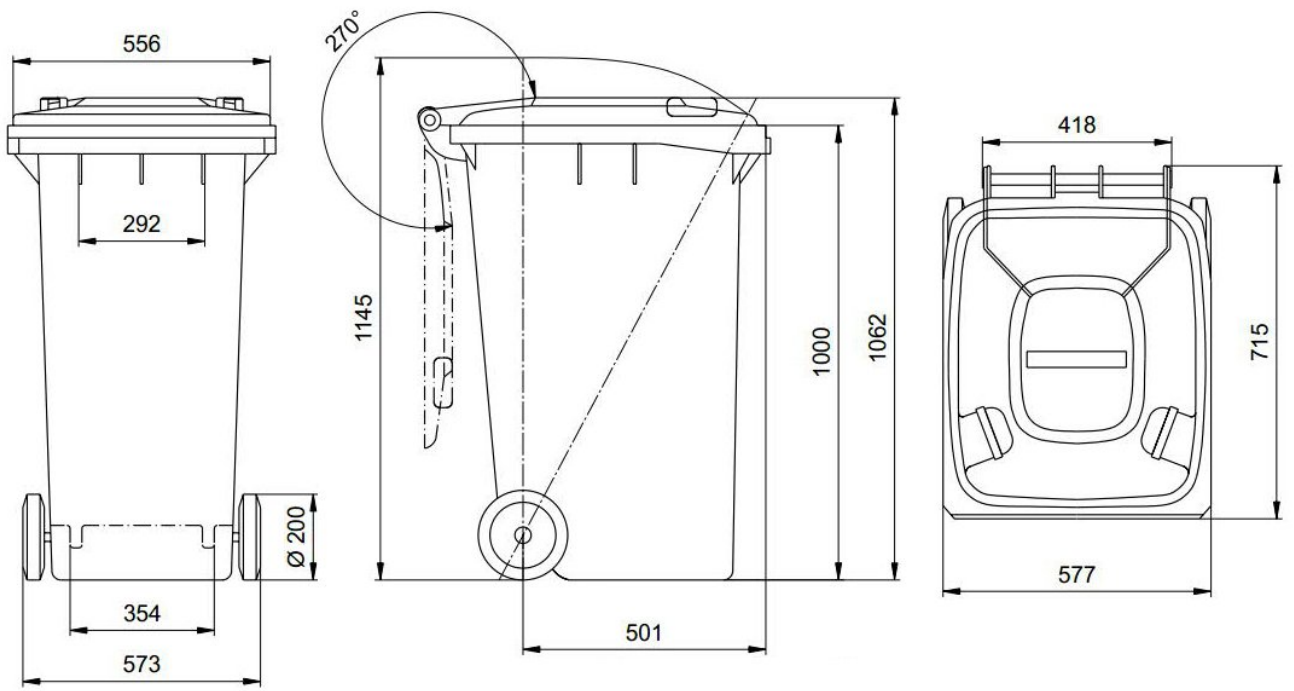
Color/ Colour: **Azul, rojo, amarillo, verde, gris, marrón, blanco y naranja/ Blue, red, yellow, green, grey, brown, white and orange**

Material PE- HD

Se trata de un material que fue desarrollado específicamente para cubos de basura, estando certificado de acuerdo con las normativas internacionales de calidad.

Es resistente a la putrefacción, al frío, al calor, a los reactivos químicos y, gracias a una especial estabilización contra los rayos U.V., sumamente estable al envejecimiento.

- Manufactured by compact injection moulding process in accordance with DIN EN 840 and RAL GZ 951/1
- Produced from specially developed, high molecular weight, high-density polyethylene (HDPE)
- UV-stabilised for outdoor use, resistant to chemicals and temperature variations
- Emptied by a stepped comb-lift, shape A
- Quiet-running, solid rubber wheels, standard diameter 200 mm, also available with 250 mm diameter
- Corrosion-resistant, zinc-plated steel axle
- All usual colours and combinations (e.g. grey, blue, green or yellow) available
- Ready to accommodate data carriers/transponders (chipnest) as a standard feature
- Marked with the appropriate noise level and the CE symbol in accordance with the regulations of directive 2000/14/EC
- Smooth surfaces facilitate easy cleaning
- The lid is equipped with ergonomic handles
- Stacking ribs as standard, this allows for high stacking
- All parts of the wheelie bins can be recycled at the end of their useful life



MGB 240 L